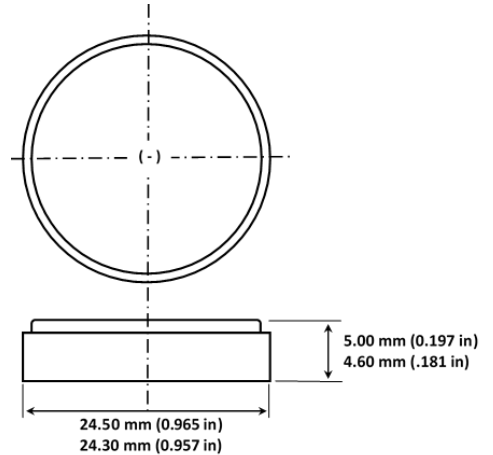


LITHIUM/MANGANESE DIOXIDE BATTERY



Size: PX2450



Dimensions shown are IEC standards

KEY FEATURES

- High voltage response, stable during most of the lifetime of the application
- Reliable Performance
- Child-Safe Markings
- Wide operating temperature range (-20°C/ + 60°C)
- Low self-discharge with long operating life (<1% after 1 year of storage at + 20 °C)
- Excellent resistance to corrosion
- Designed to meet all major quality, safety and environment standards:
 - Safety: IEC 60086-4
 - Transport: UN 38.3
 - REACH compliance
 - Quality: ISO 9001, Duracell World Class Continuous Program

TYPICAL APPLICATIONS

- Security Devices
- Watches & Calculators
- Fitness Devices & Wireless Sensors
- Key-Fobs & Trackers
- Remote Controls & Garage Door Openers
- Measurement Devices

PROCELL[®]
PROFESSIONAL BATTERIES
Procell Professional batteries
Berkshire Corporate Park
Phone: 1-800-544-5454 (Toll-free)
www.procell.com

ELECTRICAL CHARACTERISTICS

- | | |
|--|---------|
| ▪ Nominal capacity (7.5k Ohm Cont., 2.0 V cut-off) | 600 mAh |
| ▪ Minimum Open Circuit Voltage (at +20°C) | 3.0 V |
| ▪ Standard Continuous Discharge Current | 0.4 mA |
| ▪ Maximum Continuous Discharge Current | 7 mA |
| ▪ Maximum Pulse Discharge Current at 1 sec | 25 mA |
| ▪ Nominal Energy | 1.8 Wh |

PHYSICAL CHARACTERISTICS

- | | |
|--------------------|------------------|
| ▪ Typical weight | 6.3 g (0.22 oz.) |
| ▪ Li metal content | approx. 0.18 g |

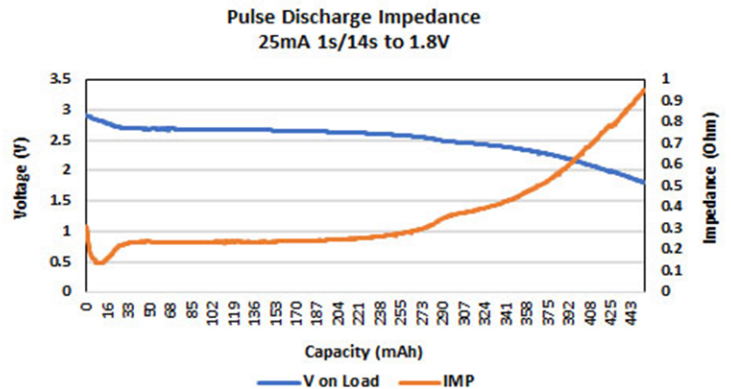
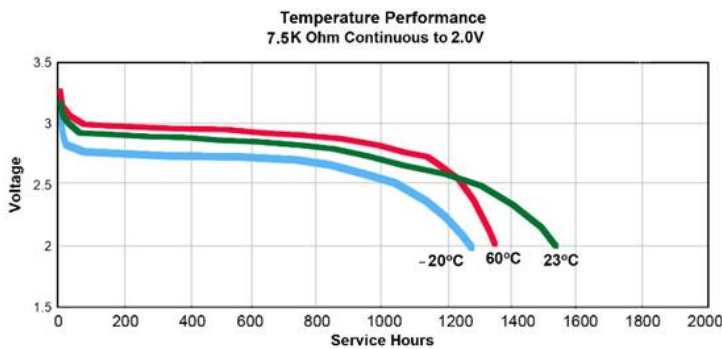
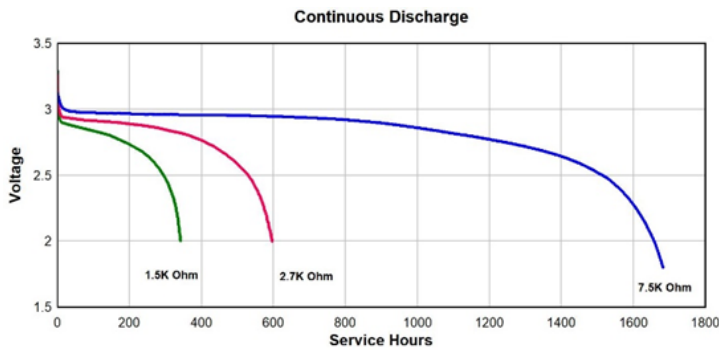
OPERATING & STORAGE CONDITIONS

- | | |
|-------------------------------|---|
| ▪ Operating temperature range | -20°C to 60°C
(-4°F to 140°F) |
| ▪ Recommended Storage | Storage area should be clean, cool
(preferably not exceeding +30°C), dry
and ventilated |
| | 5°C to 30°C
(41°F to 86° F) |

Delivered capacity is dependent on the applied load, operating temperature and cut-off voltage. Please refer to the charts and discharge data shown for examples of the energy/service life that the battery will provide for various load conditions.

This data is subject to change. Performance information is typical. Contact Duracell for the latest information.

TYPICAL PERFORMANCE



Warning

- Fire, explosion and burn hazard
- Do not recharge, short circuit, crush, disassemble heat above 100°C (212°F), incinerate or expose contents to water

60086-4 © IEC:2007 Edition 3.0

Test	Test designation	Observation
A	Altitude	Pass
B	Thermal cycling	Pass
C	Vibration	Pass
D	Shock	Pass
E	External short circuit	Pass
F	Impact	Pass
G	Crush	Pass
H	Forced discharge	Pass
I	Abnormal charging	Pass
J	Free fall	Pass
K	Thermal Abuse	Pass

Warning! Keep batteries away from children!

- Always keep your batteries away from children to prevent Swallowing.
- If ingestion does occur, however, be aware that initial symptoms may be similar to other childhood illnesses such as coughing, drooling and discomfort.
- Battery ingestion hotline (1-800-498-8666).

Delivered capacity is dependent on the applied load, operating temperature and cut-off voltage. Please refer to the charts and discharge data shown for examples of the energy/service life that the battery will provide for various load conditions.

This data is subject to change. Performance information is typical. Contact Duracell for the latest information.