



# FFD200-12

(Group Size: 4D)

Deep Cycle Sealed  
Maintenance-Free  
AGM Battery



## CRANKING PERFORMANCE

CA 32°F	CCA 0°F
1500	1300

## RESERVE CAPACITY

@25 AMPS	@75 AMPS
400 Minutes	100 Minutes

## CONSTANT CURRENT DISCHARGE (Amps)

CUT OFF VOLTAGE V/cell	15M	30M	45M	1H	2H	3H	5H	8H	10H	12H	20H	24H
1.75V	261	167	123	103	55.1	40.8	28.8	19.6	16.2	13.9	10.0	8.6

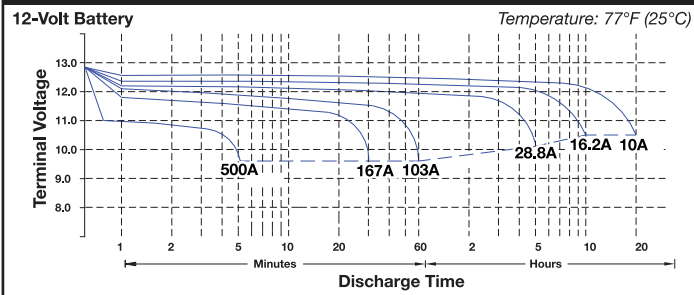
## SPECIFICATIONS

Nominal Voltage		<b>12 Volt</b>
Rated Capacity (20 hour rate)		<b>200 AH</b>
<b>Dimensions</b>	Total Height (including terminals)	<b>239 mm (9.41")</b>
	Height	<b>214 mm (8.43")</b>
	Length	<b>530 mm (20.87")</b>
	Width	<b>209 mm (8.23")</b>
Weight		<b>55.7 kg (122.8 lbs)</b>

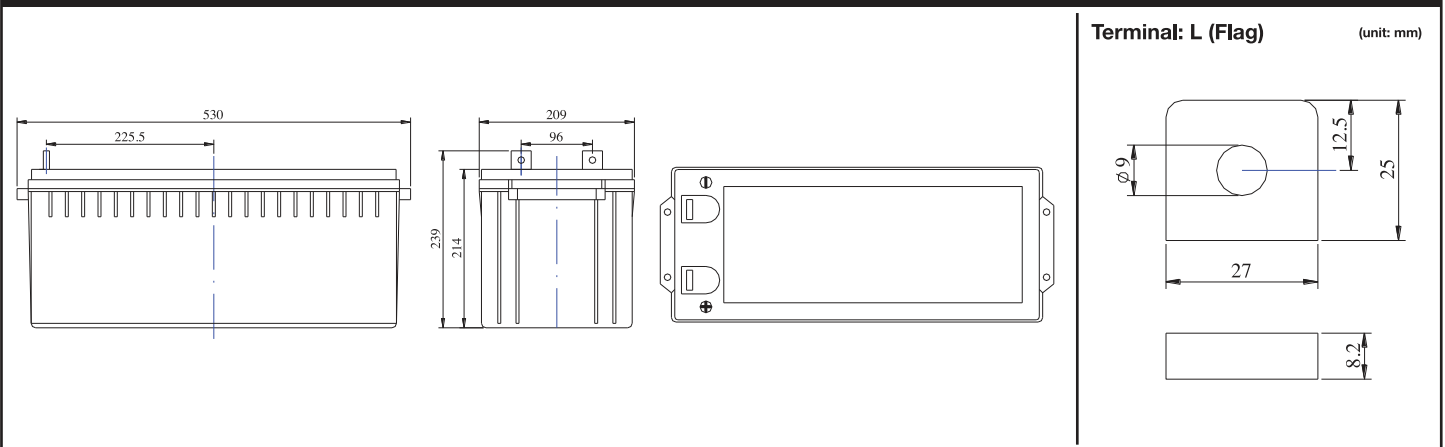
## CHARACTERISTICS

<b>Capacity</b> 77°F (25°C)	20 Hour Rate (1.75A to 10.5 Volts)	<b>200AH</b>
	10 Hour Rate (16.2A to 10.2 Volts)	<b>162AH</b>
	5 Hour Rate (28.8A to 10.2 Volts)	<b>144AH</b>
<b>Internal Resistance</b>	Full charged Battery 77°F (25°C)	<b>4m Ω</b>
<b>Capacity Affected by Temperature</b> (20 Hour Rate)	104°F (40°C)	<b>102%</b>
	77°F (25°C)	<b>100%</b>
	32°F (0°C)	<b>85%</b>
	5°F (-15°C)	<b>65%</b>
<b>Self-Discharge</b> 77°F(25°C)	Capacity after 3 month storage	<b>91%</b>
	Capacity after 6 month storage	<b>82%</b>
	Capacity after 12 month storage	<b>64%</b>
<b>Max. Discharge Current</b>	2000A (5s)	
<b>Terminal</b>	Standard	L (Flag)
<b>Charging</b> (Constant Voltage)	<b>Cycle</b>	Initial Charging Current $\leq 0.2 \times C20$ 13.9 V ~ 14.2 V/77°F (25°C)
	<b>Float</b>	13.3 V ~ 13.5 V/77°F (25°C)

## DISCHARGE CHARACTERISTICS



## SIZE & DETAILED ILLUSTRATION



This information is generally descriptive only and is not intended to make or imply any representation, guarantee or warranty with respect to any cells and batteries. Cell and battery designs/specifications are subject to modifications without notice. Contact Fullriver for the latest information.