



# LHR Series-High Rate

## LHR12185W(12V185W)

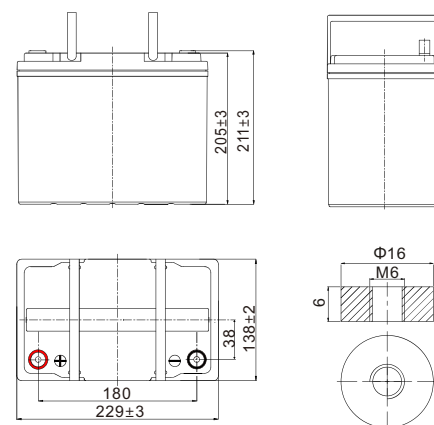


### Specifications

Rated Voltage	12V		
Nominal Rate ( $W_{15}, 1.67V/cell$ )	185W		
Nominal Capacity( $C_{10}, 1.80V/cell$ )	55Ah		
Dimension	Length	229±3mm (9.02 inches)	
	Width	138±2mm (5.43 inches)	
	Container Height	205±3mm (8.07 inches)	
	Total Height	211±3mm (8.31 inches)	
Approx. Weight	16.2 Kg (35.7 lbs)		
Terminal	M6		
Container Material	ABS: UL 94 HB or V-0		
Rated Capacity (25°C)	55.0 Ah	(10hr, 5.50A, 1.80V/cell)	
	52.8 Ah	(8hr, 6.60A, 1.80V/cell)	
	48.2 Ah	(5hr, 9.63A, 1.75V/cell)	
	43.8 Ah	(3hr, 14.6A, 1.75V/cell)	
	35.2 Ah	(1hr, 35.2A, 1.67V/cell)	
Max. Discharge Current	660A		
Internal Resistance (25°C)	Approx. 9.0mΩ		
Operating Temp. Range	Discharge	-20 ~ 55°C (-4 ~ 131°F)	
	Charge	-20~ 40°C (-4 ~ 104°F)	
	Storage	-15 ~ 50°C (5 ~ 122°F)	
Nominal Operating Temp. Range	25±3°C (77±5°F)		
Max. Charging Current(25°C)	13.75A		
Charge voltage(25°C)	Charge voltage	Temp. Coefficient	
	Float	2.25 ~2.30V/cell	-3mV/cell/°C
Effect of temp. to Capacity	Equalization	2.30~2.40V/cell	-4mV/cell/°C
	40°C (104°F)	106%	
	25°C (77°F)	100%	
Self Discharge	0°C (32°F)	86%	
	≤3%/month @ 25°C		



### Layout



### Constant Current Discharge (Amperes) at 25 °C (77° F)

F.V/Time	5min	10min	15min	20min	30min	45min	1h	1.5h	2h	3h	4h	5h	8h	10h
1.85V/cell	114.5	85.4	71.2	59.8	46.0	34.3	29.0	21.7	17.4	13.1	10.5	8.74	6.16	5.15
1.80V/cell	133.4	100.8	82.8	68.9	52.0	38.4	32.1	23.8	18.9	14.2	11.3	9.41	6.60	5.50
1.75V/cell	145.6	108.0	87.5	72.3	54.3	39.9	33.3	24.6	19.5	14.6	11.6	9.63	6.72	5.59
1.70V/cell	157.7	115.2	92.5	76.1	56.7	41.4	34.5	25.4	20.1	15.0	11.8	9.84	6.84	5.67
1.67V/cell	164.7	119.5	95.4	78.3	58.1	42.4	35.2	25.9	20.5	15.2	12.0	10.00	6.91	5.72
1.60V/cell	181.5	129.3	102.3	83.3	61.4	44.6	36.9	27.0	21.3	15.8	12.4	10.3	7.07	5.84

### Constant Power Discharge (Watts/cell) at 25 °C (77° F)

F.V/Time	5min	10min	15min	20min	30min	45min	1h	1.5h	2h	3h	4h	5h	8h	10h
1.85V/cell	228.4	171.8	143.6	121.0	93.3	69.8	56.3	42.4	34.0	25.7	20.5	17.2	12.2	10.2
1.80V/cell	262.2	200.1	165.2	138.1	104.6	77.5	61.9	46.1	36.8	27.7	22.1	18.5	13.0	10.9
1.75V/cell	281.7	211.9	172.9	143.5	108.4	80.1	63.8	47.4	37.7	28.3	22.5	18.8	13.2	11.0
1.70V/cell	300.2	223.1	180.7	149.5	112.1	82.4	65.6	48.7	38.7	29.0	23.0	19.2	13.4	11.2
1.67V/cell	310.4	229.5	185.0	152.8	114.4	83.9	66.7	49.4	39.2	29.4	23.3	19.4	13.6	11.3
1.60V/cell	333.5	243.2	195.0	160.1	119.3	87.3	69.3	51.1	40.6	30.3	23.9	19.9	13.8	11.5



# LHR Series-High Rate

## LHR12185W(12V185W)



### Applications

- UPS
- Hospitals & Testing Laboratories
- Emergency Power Supply
- Industrial Process Control Facilities
- Banks & Financial Markets
- Data & Network Operation Centers

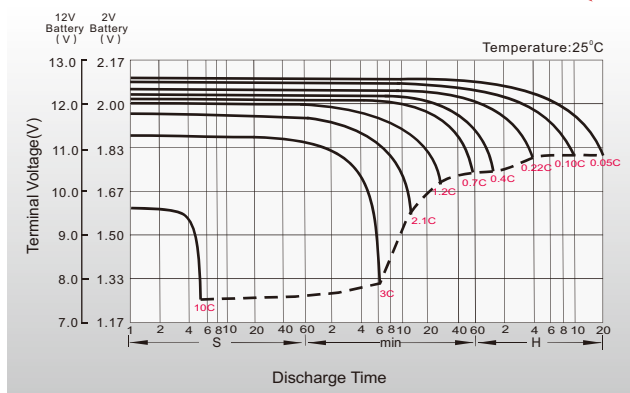
### General Features

- High quality AGM separator: extend cycle life and prevent micro short circuit
- PbCaSn alloy for plate grids: less gassing, less self-discharging
- Unique vent valve design: reduce water losing and prevent air/spark going inside

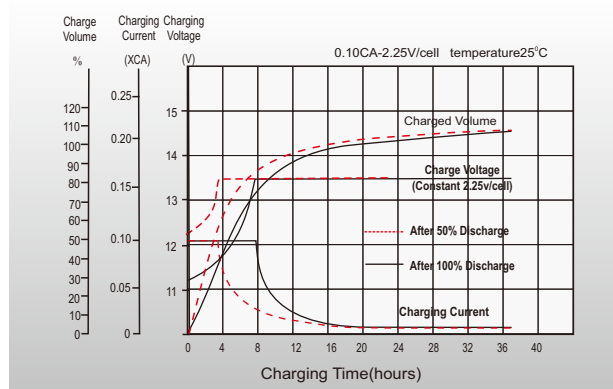
### Standards

- Compliance with IEC 60896 standards
- Classified as "Long Life" according to Eurobat
- CE, UL, IEC Certified
- Manufactured in Leoch@IATF16949, ISO 45001, ISO 9001 and ISO 14001 certified production facilities

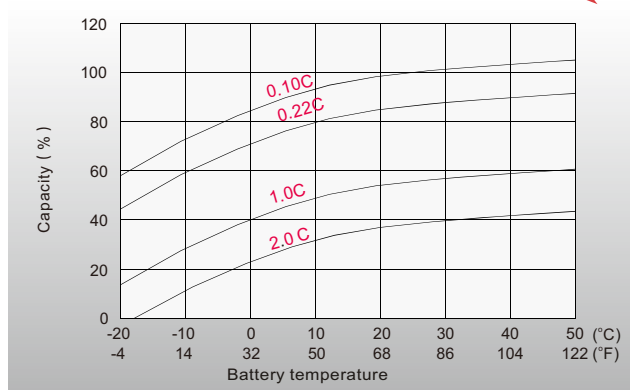
### Discharge Characteristics



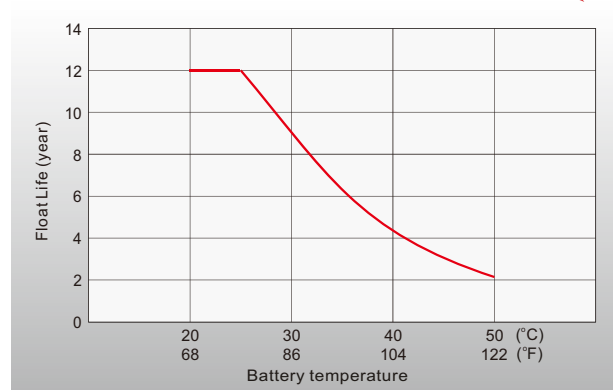
### Float Charging Characteristics



### Temperature Effects in Relation to Battery Capacity



### Effect of Temperature on Long Term Float Life



## Sales Offices Worldwide

#### China Sales Office

5th Floor, Xinhaohui Bldg., Nanhai Blvd.,  
Nanshan, Shenzhen, China. 518052  
Tel: +86-755-86036060 (100 lines)  
Fax: +86-755-26067269  
E-mail: export@leoch.com

#### HongKong Sales Office

Workshop C, 33/F, TML Tower, No. 3 Hoi Shing Road,  
Tsuen Wan, New Territories, Hong Kong  
Tel: +852 35786666  
Fax: +44 1452 690125  
E-mail: sales.hk@leoch.com

#### Singapore Sales Office

No. 1 Tech Park Crescent,  
Singapore 638131  
Tel: +65 68636078  
Fax: +65 6863 6079  
Email: sales.sg@Leoch.com

#### Australia Sales Office

2 /29 Tarlington Place, Smithfield. NSW 2164  
Australia  
Tel: 02 9756 0950  
E-mail: sales.au@leoch.com

#### North America Sales Office

19751 Descartes  
Foothill Ranch, CA 92610, USA  
Tel: 949-588-5853  
Fax: 949-588-5966  
E-mail: sales@leoch.us  
Http:// www.leoch.us

#### UK Sales Office

9B Wheatstone Court, Waterwells, Business Park,  
Gloucester, GL2-2AQ, UK United Kingdom  
Tel: +44(0) 1452 729428 / 1452 729696  
Fax: +44 1452 690125  
E-mail: Sales.Europe@leoch.com  
Http:// www.leoch.eu

#### EMEA Sales Office

1 Deligiorgi St., 121 31 Athens,  
Greece  
Tel: +30 210 5760318 (2 lines)  
E-mail: support\_EMEA@leoch.com  
Http:// www.leoch.eu

#### India Sales Office

Shed no. A-53(b), 2nd Stage of Peenya Industrial Area,  
Bangalore North Taluk, Bangalore-560058, India  
Tel: +91-80-23440018/23440019  
Fax: +91-80-23440017  
E-mail: indiasales@leoch.com



[Http://www.leoch.com](http://www.leoch.com)

© 2023 LEOCH. All rights reserved.

Trademarks and logos are the property of LEOCH and its affiliates unless otherwise noted.  
Subject to revisions without prior notice E&OE.

Publication No.: LB-LHR12185W-PD-EN-V1.5-202304