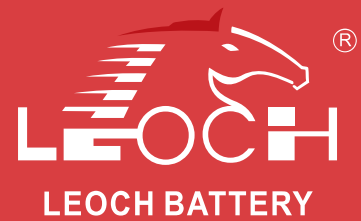




LHR Series-High Rate

LHR1224W(12V24W)

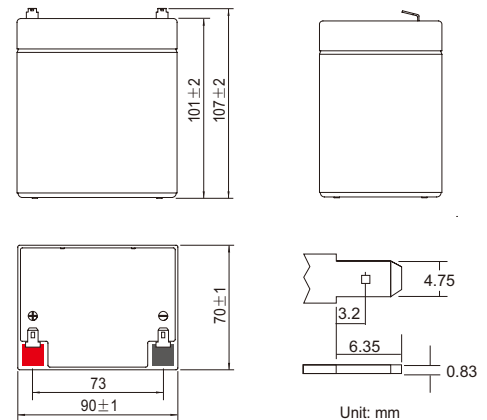


Specifications

Rated Voltage	12V		
Nominal Rate (W_{15} , 1.67V/cell)	24W		
Nominal Capacity(C_{10} , 1.80V/cell)	5.3Ah		
Dimension	Length	90±1mm (3.54 inches)	
	Width	70±1mm (2.78 inches)	
	Container Height	101±2mm (3.98 inches)	
	Total Height	107±2mm (4.21 inches)	
Approx. Weight	1.88 Kg (4.15 lbs)		
Terminal	T1		
Container Material	ABS: UL 94 HB or V-0		
Rated Capacity (25°C)	5.30 Ah	(10hr, 0.530A, 1.80V/cell)	
	5.20 Ah	(8hr, 0.650A, 1.80V/cell)	
	4.90 Ah	(5hr, 0.980A, 1.75V/cell)	
	4.50 Ah	(3hr, 1.50A, 1.75V/cell)	
	4.78 Ah	(1hr, 4.78A, 1.67V/cell)	
Max. Discharge Current	90A		
Internal Resistance (25°C)	Approx. 31mΩ		
Operating Temp. Range	Discharge	-20 ~ 55°C (-4 ~ 131°F)	
	Charge	-20~ 40°C (-4 ~ 104°F)	
	Storage	-15 ~ 50°C (5 ~ 122°F)	
Nominal Operating Temp. Range	25±3°C (77±5°F)		
Max. Charging Current(25°C)	1.43A		
Charge voltage(25°C)	Charge voltage	Temp. Coefficient	
	Float	2.25 ~2.30V/cell	-3mV/cell/°C
Effect of temp. to Capacity	Equalization	2.30~2.40V/cell	-4mV/cell/°C
	40°C (104°F)	106%	
	25°C (77°F)	100%	
	0°C (32°F)	86%	
Self Discharge	≤3%/month @ 25°C		



Layout



Constant Current Discharge (Amperes) at 25 °C (77°F)

F.V/Time	5min	10min	15min	20min	30min	45min	1h	1.5h	2h	3h	4h	5h	8h	10h
1.85V/cell	17.7	11.8	9.69	7.73	5.43	3.87	3.01	2.25	1.80	1.35	1.07	0.890	0.607	0.497
1.80V/cell	20.7	13.9	11.3	8.90	6.14	4.33	3.33	2.46	1.96	1.46	1.15	0.959	0.650	0.530
1.75V/cell	22.6	14.9	11.9	9.34	6.42	4.51	3.46	2.55	2.02	1.50	1.18	0.980	0.662	0.538
1.70V/cell	24.4	15.9	12.6	9.83	6.70	4.68	3.58	2.63	2.09	1.54	1.21	1.00	0.673	0.547
1.67V/cell	25.5	16.5	13.0	10.1	6.87	4.78	3.66	2.68	2.12	1.57	1.23	1.02	0.680	0.552
1.60V/cell	28.1	17.9	13.9	10.7	7.25	5.03	3.84	2.80	2.21	1.62	1.27	1.05	0.696	0.563

Constant Power Discharge (Watts/cell) at 25 °C (77°F)

F.V/Time	5min	10min	15min	20min	30min	45min	1h	1.5h	2h	3h	4h	5h	8h	10h
1.85V/cell	33.8	22.6	18.6	14.9	10.5	7.51	5.86	4.39	3.52	2.65	2.10	1.75	1.20	0.983
1.80V/cell	38.9	26.3	21.4	17.0	11.8	8.33	6.44	4.78	3.81	2.85	2.25	1.88	1.28	1.05
1.75V/cell	41.9	27.9	22.4	17.7	12.2	8.61	6.63	4.91	3.91	2.91	2.30	1.92	1.30	1.06
1.70V/cell	44.8	29.4	23.5	18.4	12.6	8.86	6.82	5.04	4.01	2.99	2.35	1.96	1.32	1.08
1.67V/cell	46.4	30.3	24.0	18.8	12.9	9.02	6.93	5.12	4.07	3.02	2.38	1.98	1.33	1.09
1.60V/cell	50.5	32.4	25.4	19.7	13.4	9.38	7.20	5.30	4.20	3.12	2.45	2.03	1.36	1.11



LHR Series-High Rate

LHR1224W(12V24W)



Applications

- UPS
- Hospitals & Testing Laboratories
- Emergency Power Supply
- Industrial Process Control Facilities
- Banks & Financial Markets
- Data & Network Operation Centers

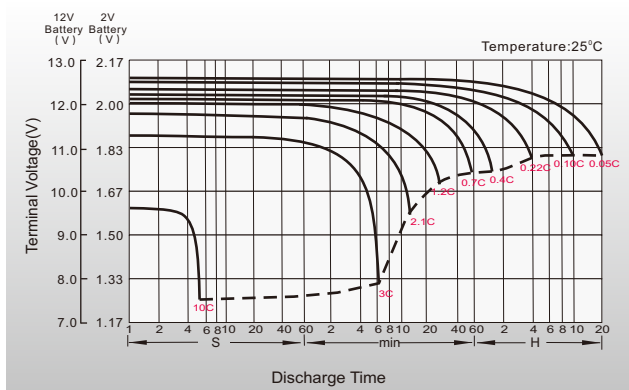
General Features

- High quality AGM separator: extend cycle life and prevent micro short circuit
- PbCaSn alloy for plate grids: less gassing, less self-discharging
- Unique vent valve design: reduce water losing and prevent air/spark going inside

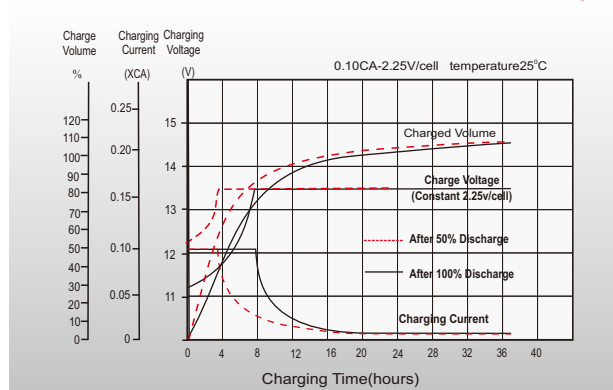
Standards

- Compliance with IEC 60896 standards
- Classified as "General Purpose" according to Eurobat
- CE, UL, IEC Certified
- Manufactured in Leoch@IATF16949, ISO 45001, ISO 9001 and ISO 14001 certified production facilities

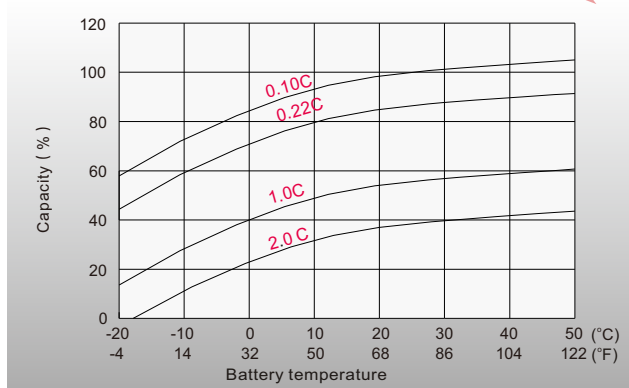
Discharge Characteristics



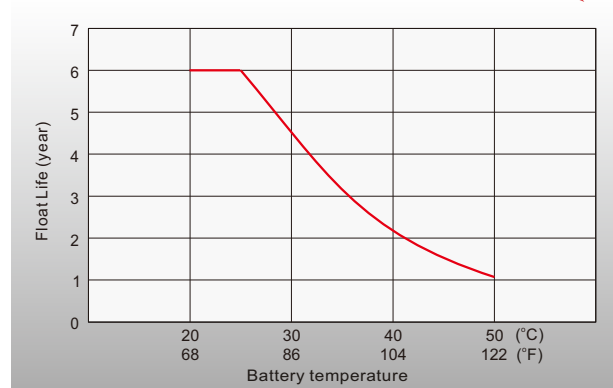
Float Charging Characteristics



Temperature Effects in Relation to Battery Capacity



Effect of Temperature on Long Term Float Life



Sales Offices Worldwide

China Sales Office

5th Floor, Xinbaohui Bldg., Nanhai Blvd.,
Nanshan, Shenzhen, China. 518052
Tel: +86-755-86036060 (100 lines)
Fax: +86-755-26067269
E-mail: export@leoch.com

HongKong Sales Office

Workshop C, 33/F, TML Tower, No. 3 Hoi Shing Road,
Tsuen Wan, New Territories, Hong Kong
Tel: +852 35786666
Fax: +44 1452 690125
E-mail: sales.hk@leoch.com

Singapore Sales Office

No. 1 Tech Park Crescent,
Singapore 638131
Tel: +65 68636078
Fax: +65 6863 6079
Email: sales.sg@leoch.com

Australia Sales Office

2 /29 Tarlington Place, Smithfield. NSW 2164
Australia
Tel: 02 9756 0950
E-mail: sales.au@leoch.com

North America Sales Office

19751 Descartes
Foothill Ranch, CA 92610, USA
Tel: 949-588-5853
Fax: 949-588-5966
E-mail: sales@leoch.us
Http:// www.leoch.us

UK Sales Office

9B Wheatstone Court, Waterwells, Business Park,
Gloucester, GL2-2AQ, UK United Kingdom
Tel: +44(0) 1452 729428 / 1452 729696
Fax: +44 1452 690125
E-mail: Sales.Europe@leoch.com
Http:// www.leoch.eu

EMEA Sales Office

1 Deligiorgi St., 121 31 Athens,
Greece
Tel: +30 210 5760318 (2 lines)
E-mail: support_EMEA@leoch.com
Http:// www.leoch.eu

India Sales Office

Shed no. A-53(b), 2nd Stage of Peenya Industrial Area,
Bangalore North Taluk, Bangalore-560058, India
Tel: +91-80-23440018/23440019
Fax: +91-80-23440017
E-mail: indiasales@leoch.com



[Http://www.leoch.com](http://www.leoch.com)

© 2023 LEOCH. All rights reserved.

Trademarks and logos are the property of LEOCH and its affiliates unless otherwise noted.
Subject to revisions without prior notice. E&OE.

Publication No.: LB-LHR1224W-PD-EN-V1.4-202304