

MODEL: T-890 with Bayonet

DIMENSIONS: inches (mm)

BATTERY: Flooded/wet lead-acid battery

COLOR: Maroon (case/cover)

MATERIAL: Polypropylene






PRODUCT SPECIFICATION

BCI GROUP SIZE	TYPE	CAPACITY ^A Minutes		CAPACITY ^B Amp-Hours (AH)		TERMINAL Type	DIMENSIONS ^C Inches (mm)			WEIGHT lbs. (kg)
		@25 Amps	@56 Amps	5-Hr Rate	20-Hr Rate		Length	Width	Height ^D	
8 VOLT DEEP CYCLE BATTERY - with T2 TECHNOLOGY™										
GC8	T-890	340	132	155	190	1, 2, 3	10-3/8 (264)	7 (178)	10-7/8 (276)	69 (31)

- A. The number of minutes a battery can deliver when discharged at a constant rate at 80°F (27°C) and maintain a voltage above 1.75 V/cell. Capacities are based on nominal performance.
- B. The amount of amp-hours (AH) a battery can deliver when discharged at a constant rate at 80°F (27°C) for the 20-Hour and 100-Hour rates and 86°F (30°C) for the 5-Hour rate and maintain a voltage above 1.75 V/cell. Capacities are based on nominal performance.
- C. Dimensions are based on nominal size. Dimensions may vary depending on type of handle or terminal.
- D. Dimensions taken from bottom of the battery to the highest point on the battery. Heights may vary depending on type of terminal.
- Trojan's battery testing procedures adhere to both BCI and IEC test standards.

TERMINAL CONFIGURATIONS

1	ELPT	Embedded Low Profile Terminal	 <p><i>Terminal Height Inches (mm)</i> 1-7/32 (31))</p> <p><i>Torque Values in-lb (Nm)</i> 95-105 (10.7 - 11.9)</p> <p><i>Bolt Size</i> 5/16 - 18</p>
2	EHPT	Embedded High Profile Terminal	 <p><i>Terminal Height Inches (mm)</i> 1-1/2 (38)</p> <p><i>Torque Values in-lb (Nm)</i> 95-105 (10.7 - 11.9)</p> <p><i>Bolt Size</i> 5/16 - 18</p>
3	EAP	Embedded Automotive Post Terminal	 <p><i>Terminal Height Inches (mm)</i> 15/16 (24)</p> <p><i>Torque Values in-lb (Nm)</i> 50 - 70 (5.6 - 7.9)</p>

CHARGING INSTRUCTIONS

CHARGER VOLTAGE SETTINGS (AT 77°F/25°C)			
System Voltage	8V	24V	48V
Daily Charge	9.87	29.6	59.2
Float	8.80	26.4	52.8
Equalize	10.33	31.0	62.0

Do not install or charge batteries in a sealed or non-ventilated compartment. Constant under or overcharging will damage the battery and shorten its life as with any battery.

CHARGING TEMPERATURE COMPENSATION

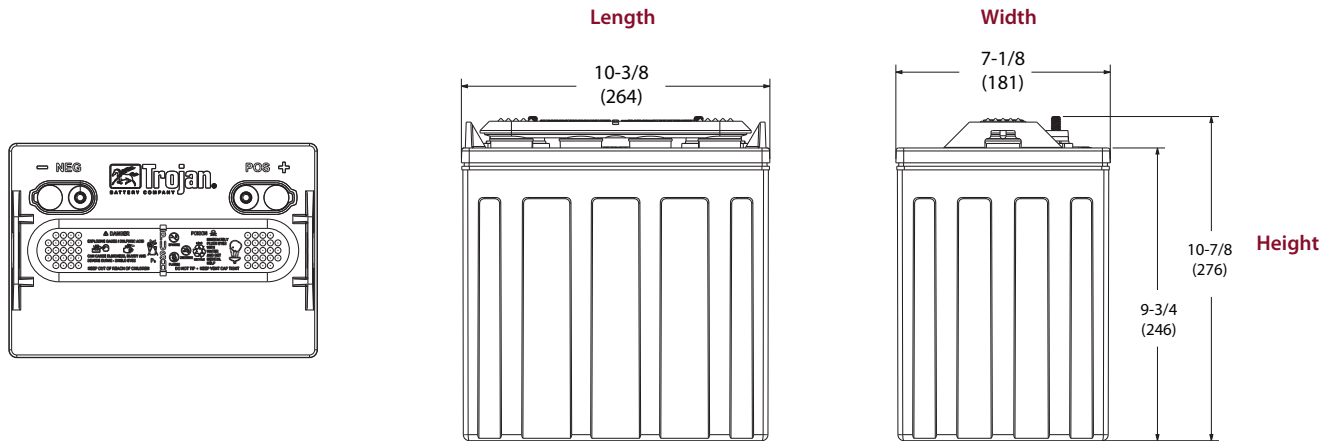
.028 VPC for every 10°F (5.55°C) above or below 77°F (25°C) (add .028 VPC for every 10°F (5.55°C) below 77°F and subtract .028 VPC for every 10°C above 77°F).

OPERATIONAL DATA

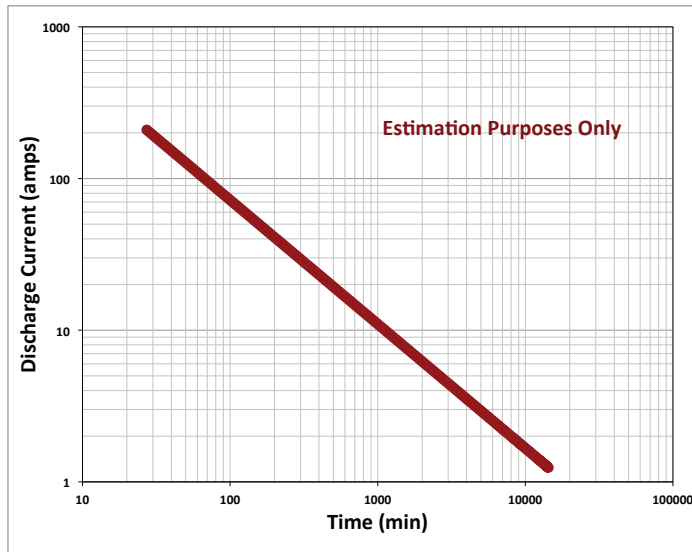
Operating Temperature	Self Discharge
-4°F to 113°F (-20°C to +45°C). At temperatures below 32°F (0°C) maintain a state of charge greater than 60%.	5 - 15% per month depending on storage temperature conditions.

T-890 DATA SHEET

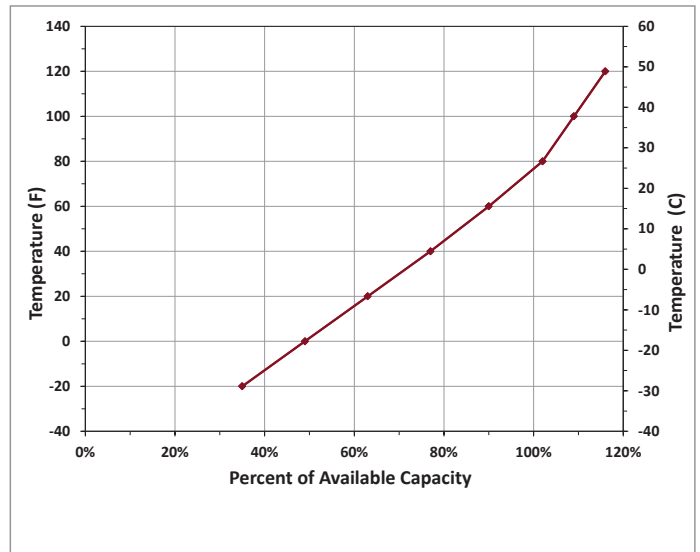
BATTERY DIMENSIONS (shown with ELPT)



TROJAN T-890 PERFORMANCE



PERCENT CAPACITY VS. TEMPERATURE



Trojan batteries are available worldwide through Trojan's Master Distributor Network. We offer outstanding technical support, provided by full-time application engineers.

**For a Trojan Master Distributor near you,
call 800.423.6569 or + 1.562.236.3000 or visit www.trojanbattery.com**

12380 Clark Street, Santa Fe Springs, CA 90670 • USA