



XHRL series

XHRL 12900WFT



Valve Regulated Lead Acid Battery

Maintenance-Free Sealed Lead Acid Battery.
Absorbent Glass Mat (AGM) technology for efficient gas recombination of up to 99%.

General

Design for Standby Power Applications

【Design Life】

Up to 10 Years in Standby Service at 25°C
Eurobat (20°C) : >12 YEARS VERY LONG LIFE

【Operating Temperature Range】

Nominal Operating Temperature : 25°C (77°F)
Discharge : -15°C ~ 50°C (5°F~122°F)
Charge: -15°C ~ 40°C (5°F~104°F)
Storage: -15°C ~ 40°C (5°F~104°F)

【Float Charging Voltage】

13.5 ~ 13.8 VDC/Unit at 25°C (77°F)

【Equalization Charging Voltage】

14.4 ~ 15.0 VDC/Unit at 25°C (77°F)

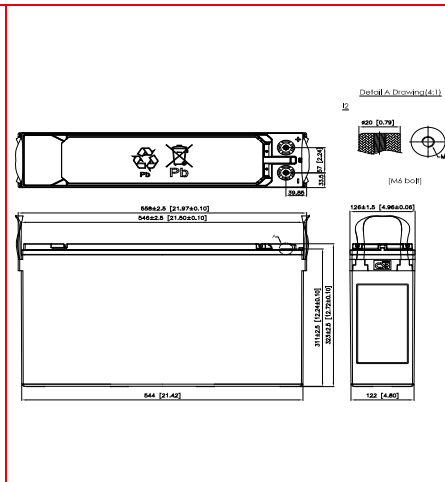
【Self Discharge】

Less than 10% after 90 days, can be stored up to 6 months at 25°C (77°F);
Fully recharging is required before usage, and charged sooner if stored at higher temperature than 25°C (77°F).

Specification

Design according with IEC 60896-21/22:2004

Nominal Voltage	12V (6 cells per unit)		
Nominal Capacity	900W @15min-rate to 1.67V per cell @25°C (77°F)		
Weight	Approx. 69.50 Kg (153.22 lbs)		
Maximum Discharge Current	1900A		
Internal Resistance	Approx. 1.86 mΩ		
Short Circuit Current	5102A		
Maximum Charge Current	90A		
Terminal types	I2 thread lead alloy terminal to accept M6 bolt		
Terminal tightening torque	51.7±10.3 Kgf·cm / 44.9±9.0 Lbf·in / 5.1±1.0 N·m		
Container Material	PP (UL 94-HB) & Flame Retardant (94-V0) available upon request		
Dimensions	Length (L)	558.0±2.5 mm	21.97±0.10 inch
	Width (W)	126.0±1.5 mm	4.96±0.06 inch
	Container Height (h)	312.0±2.5 mm	12.28±0.10 inch
	Overall Height (H)	323.0±2.5 mm	12.72±0.10 inch



Constant Current Discharge Characteristics Unit: A (25°C, 77°F)

F.V/Time	2MIN	4MIN	5MIN	6MIN	8MIN	10MIN	15MIN	20MIN	30MIN	45MIN	60MIN	90MIN
1.60V	1175	995	925	872	772	685	538	423	299	210	163	114
1.67V	1041	889	842	790	698	635	506	407	291	208	160	112
1.70V	972	847	797	744	668	611	490	396	285	206	159	111
1.75V	838	756	710	674	622	558	458	371	273	200	156	110
1.80V	715	645	626	615	546	498	420	337	254	189	149	106
1.85V	631	564	529	502	462	434	365	294	230	172	137	99

Constant Power Discharge Characteristics Unit: W (25°C, 77°F)

F.V/Time	2MIN	4MIN	5MIN	6MIN	8MIN	10MIN	15MIN	20MIN	30MIN	45MIN	60MIN	90MIN
1.60V	11475	9862	9119	8553	7732	7077	5665	4699	3377	2427	1914	1370
1.67V	10445	8990	8420	7982	7376	6629	5446	4488	3285	2399	1896	1361
1.70V	10014	8579	8094	7718	7128	6406	5326	4361	3226	2377	1882	1354
1.75V	8950	7915	7634	7393	6603	5992	5007	4094	3094	2316	1842	1334
1.80V	7655	7384	7148	6676	6008	5546	4664	3748	2909	2207	1769	1295
1.85V	7395	6556	6135	5820	5386	5057	4133	3325	2671	2034	1647	1219

Constant Power Discharge Characteristics Unit: W (25°C, 77°F)

F.V/Time	30SEC	40SEC	50SEC	60SEC	70SEC	80SEC	90SEC
1.60V	13991	13748	13333	12905	12661	12453	12210
1.67V	12419	12269	11875	11562	11303	11084	10895
1.70V	11420	11082	10852	10589	10458	10346	10249

**Preliminary spec sheet

Issued: 230408

Sales Offices

希世比能源科技股份有限公司
CSB Energy Technology Co., Ltd.

BUSINESS HEADQUARTERS

Tel: +886-2-2880-5600
Fax: +886-2-2888-3300

USA OFFICE

Tel: +1-817-244-7777 / 1-(800)3-CSB-USA (272872)
Fax: +1-817-244-4445

EUROPE (EMEA) OFFICE

Tel: +31(0)180-418-140
Fax: +31(0)180-418-327

Recognized under UL 1989,
and certified by ISO 9001, 14001, 45001, 50001.



TAIPEI OFFICE

Tel: +886-2-2880-5600
Fax: +886-2-2888-3300